



IMO N°  
OFFICE IMO N°

0379121

# MUROS

## MAIN PARTICULARS

General cargo, bulk, containers, grainfitted bulk dangerous solid cargoes in compliance with I.M.D.G. and BC. CODE

Built	2008
Flag	Portuguese
IMO number:	9397640
Call sign:	CRYK
Gross tonnage, GT.	2.998
Net tonnage, NT.	1.678
Dead weight	4.950
C.C. Summer about	4.750 MT
Length overall	89,95 m
Beam	14,40 m
Draft about	6,27 m
Air draft in ballast aft	20,00 m
Air draft in ballast fore	11,00 m
Bow Thruster Power:	250Kw

## HOLDS - HATCHES

### 1 Box

Dimensions: 63 x 11,7 x 8,42 m.  
Hatch covers strength 1,6 MT m<sup>2</sup>

### STEELFLOORED

Cubic capacity: Grain/Bale: 215.000 CF.  
Coils up to 40 Mt each.  
2 bulkheads movable.  
Tank top load 15 MT m<sup>2</sup>

## BUILDER

P. O. Box, 75 - 48300 GERNIKA (Vizcaya)  
Spain

## ASTILLEROS DE MURUETA, S.A. (1943)

Tel.: 00-34-94 625 20 00  
Fax: 00-34-94 625 52 44  
mail@astillerosmurueta.com

Class: Highest BV + 100 A1  
P & I "Gard Oslo"



**MURUETA  
ATLANTICO**

**CHARTERING DEPARTMENT**

Tel.: 00-34-94 600 40 62

chartering@muruetaatlantico.com

Mr. Antón López-Abente: 00-34-609 805 570

Mr. Mikel Zarate: 00-34-656 700 455

Mr. Michael Laursen: 00-34-656 700 457

Mr. Jorge Alfaro: 00-34-656 700 459

**OPERATIONS**

operations@muruetaatlantico.com

Mr. Iosu Beaskoetxea: 00-34-688 818 262

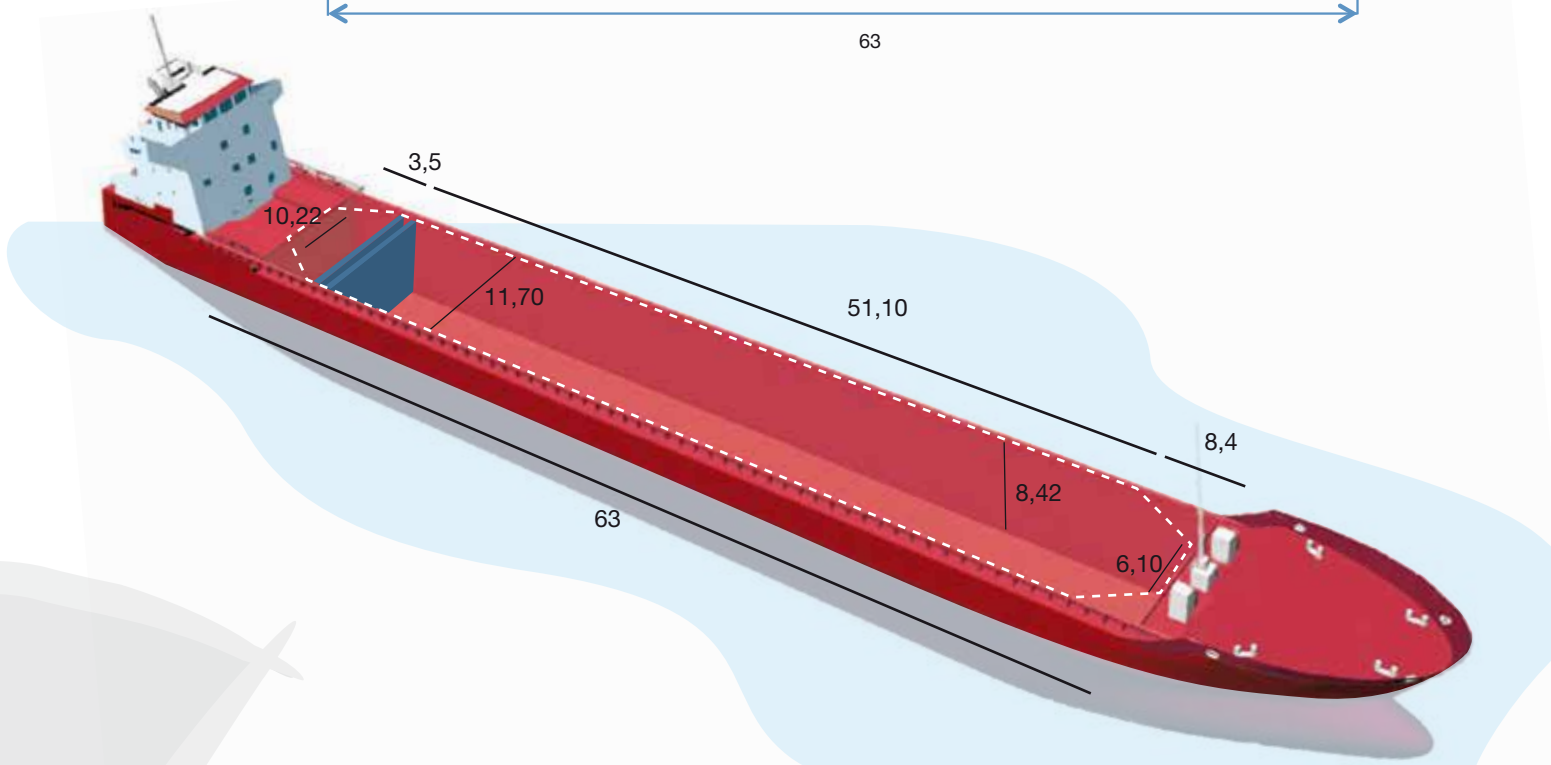
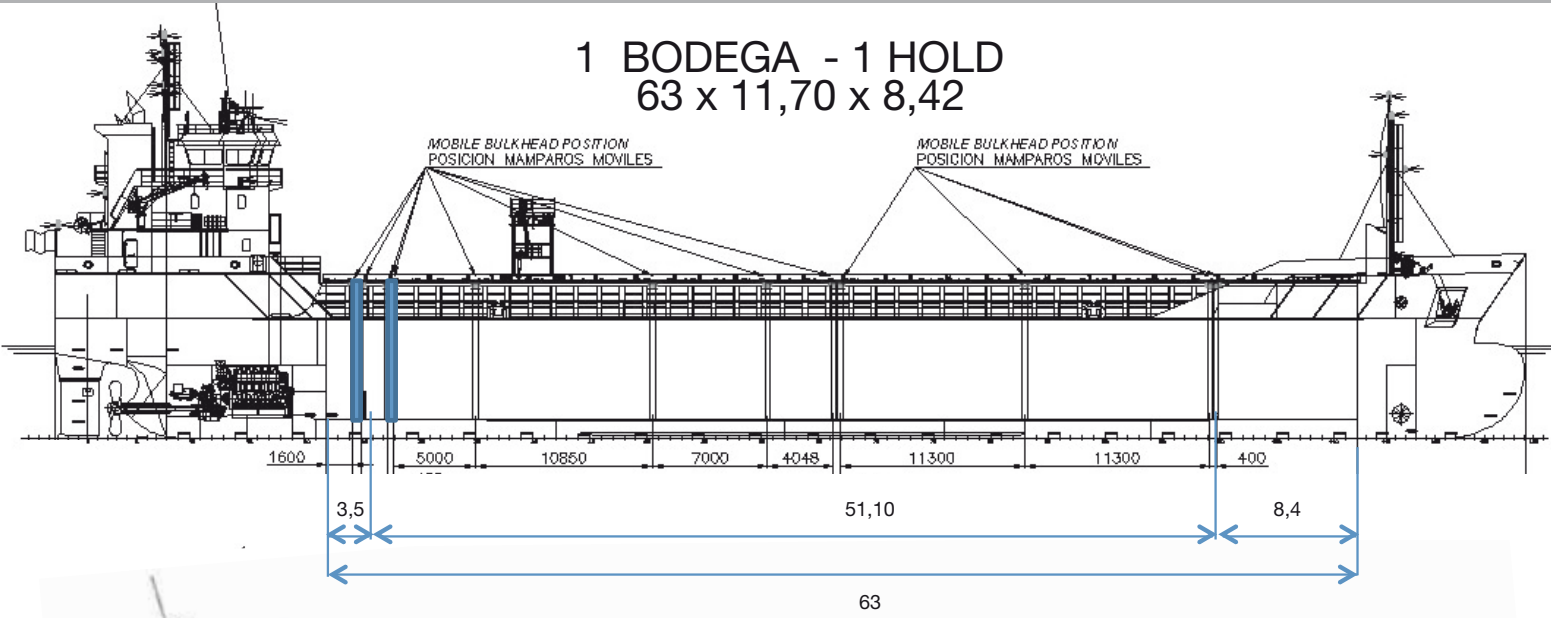
Mrs. Jaione Durana: 00-34-747 495 232

**DESIGNATED PERSON ASHORE, ISM (DPA)**

Mr. Juan Jesús Merchan: 00-34-656 700 452

# MUROS

**1 BODEGA - 1 HOLD**  
**63 x 11,70 x 8,42**



\* For a full capacity is necessary to position the bulkheads in the middle.

**BUILDER: ASTILLEROS DE MURUETA, S.A.**

P. O. Box, 75 • 48300 GERNIKA (Vizcaya) Spain

Tel.: 00-34-94 625 20 00

Fax: 00-34-94 625 52 44

mail@astillerosmurueta.com

BUQUE

SHIP

**MUROS**

**DIMENSIONES DE LAS BODEGAS**

**HOLDS DIMENSIONS**

**215.000 cbft**  
**1 BODEGA - 1 HOLD**  
**63 x 11,70 x 8,42**